

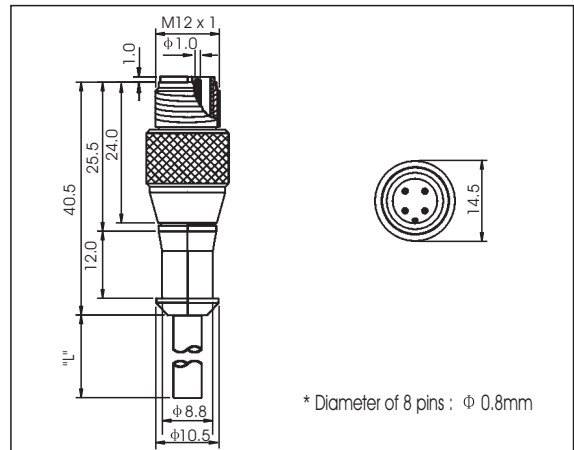
EURO-STYLE QUICK DISCONNECT CABLES

View



- Euro-style
- Screw locking with (auto) securing Safety nut
- With moulded Cable

Dimensional data



Technical Data

Application Class: HNA acc. to DIN 40040
(-25 °C / +90 °C / ≤ 100%rF)

Moulded Body: TPU, self-extinguishing

Nominal Power: 4A , 8 poles=1.5A

Nominal Voltage: 3+4poles250VAC/300VDC
5+8poles, 30VAC/36VDC

Contact: CuZn, pre-nickel and
0.8 microns gold-plated

Body: TPU, self-extinguishing

Securing Safety Nut: Nickel plated brass

Protection: IP 68

Insulation Group: C acc.to VDE 0110

Test Voltage: 3+4poles, 2.0 KV eff./60s.
5+8poles, 1.5 KV eff./60s.

Insulation Resistance: > 10⁹Ω

CSA certified: 219967

Catalog Number

Part-No	Poles	Face View male	Color Code	Conductors		Outer Jacket	
				Guage	Stranding	φ mm	Material
R-MS3TZV062	3		1=brown 3=blue 4=black	0.34mm ²	42 x φ0.10	5.0	PVC
R-MS3TZV312				0.34mm ²	42 x φ0.10		PVC irradiated
R-MS3TZY042				0.34mm ²	42 x φ0.10		PUR/PVC
R-MS4/3TZV062	4		1=brown 2= - 3=blue 4=black	0.34mm ²	42 x φ0.10	5.0	PVC
R-MS4/3TZV312				0.34mm ²	42 x φ0.10		PVC irradiated
R-MS4/3TZY042				0.34mm ²	42 x φ0.10		PUR/PVC
R-MS4TZV072	4		1=brown 2=white 3=blue 4=black	0.25mm ²	32 x φ0.10	5.0	PVC
R-MS4TZV812				0.34mm ²	42 x φ0.10		PVC irradiated
R-MS4TZY872				0.25mm ²	32 x φ0.10		PUR/PVC
R-MS5TZU822	5		1=brown 2=white 3=blue 4=black 5=gray	0.50mm ²	16 x φ0.10	6.0	PUR
R-MS8TZU092	8		1=white 2=brown 3=green 4=yellow 5=grey 6=pink 7=blue 8=red	0.25mm ²	32 x φ0.10	6.0	PUR

Standard length: 2.0 m, 5.0 m, 7.5 m, 10.0 m. Other cable length or cable specifications on request.

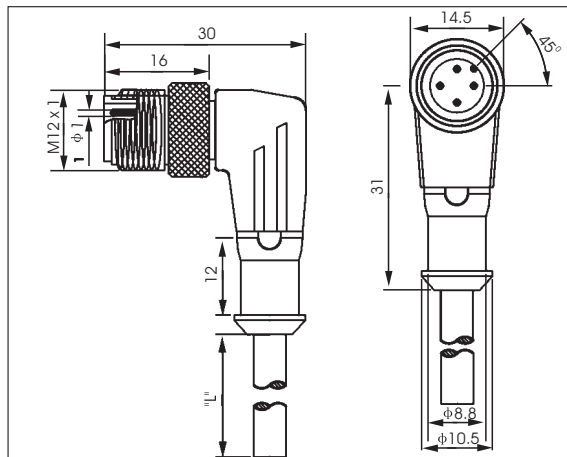
EURO-STYLE QUICK DISCONNECT CABLES

View



- Euro-style
- Right-angle style
- Screw locking with (auto) securing safety nut
- With moulded cable

Dimensional data



Technical Data

Application Class: HNA acc. to DIN 40040
 (-25 °C +90 °C / ≤ 100%rF)

Moulded Body: TPU, self-extinguishing

Nominal Power: 4A

Nominal Voltage: 3+4poles, 250VAC/300VDC
 5poles, 30VAC/36VDC

Contact: CuZn, pre-nickelated and
 0.8 microns gold-plated

Body : TPU, self-extinguishing

Securing Safety Nut: Nickel plated brass

Protection: IP 68

Insulation Resistance: C acc.to VDE 0110

Test Voltage: 3+4poles, 2.0 KV eff./60s.
 5poles, 1.5 KV eff./60s.

Insulation Resistance: > 10⁹ Ω

CSA certified: 219967

Catalog Number

Part-No	Poles	Face View male	Color Code	Conductors		Outer Jacket	
				Guage	Stranding	φ mm	Material
R-MA3TZV062	3		1=brown 3=blue 4=black	0.34mm ²	42x φ 0.10	5.0	PVC
R-MA3TZV312							PVC irradiated
R-MA3TZY042							PUR/PVC
R-MA4/3TZV062	4		1=brown 2=- 3=blue 4=black	0.34mm ²	42x φ 0.10	5.0	PVC
R-MA4/3TZV312							PVC irradiated
R-MA4/3TZY042							PUR/PVC
R-MA4TZV072	4		1=brown 2=white 3=blue 4=black	0.25mm ²	32x φ 0.10	5.0	PVC
R-MA4TZV812				0.34mm ²	42x φ 0.10	5.0	PVC irradiated
R-MA4TZY872				0.25mm ²	32x φ 0.10	5.0	PUR/PVC
R-MA5TZU822	5		1=brown 2=white 3=blue 4=black 5=gray	0.50mm ²	16x φ 0.20	6.0	PUR

Standard length: 2.0 m, 5.0 m, 7.5 m, 10.0 m. Other cable length or cable specifications on request.